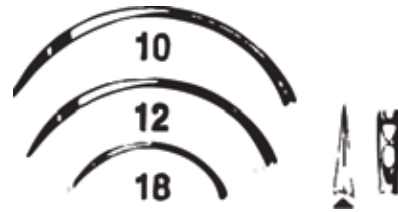


\*Needles are not shown to actual size.

## Regular Surgeon Needles 3/8 Circle Cutting Edge Spring Eye

**08622:** non-sterile, stainless  
12/pkg

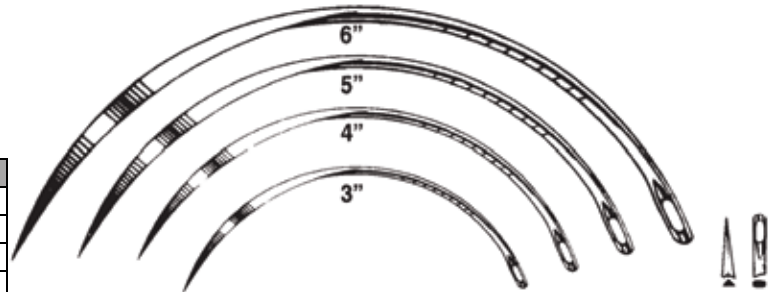
Available Sizes	Dimensions
10	.94mm x 45mm
12	.69mm x 30mm
18	.61mm x 22mm



## Post Mortem Needles 3/8 Circle Cutting Edge

**08816:** non-sterile, stainless  
12/pkg

Available Sizes	Dimensions
3	1.42mm x 75mm
4	1.80mm x 100mm
5	2.00mm x 125mm
6	2.00mm x 152mm



## Straight Cutting Needles Triangular Point

**08817:** non-sterile, stainless  
12/pkg

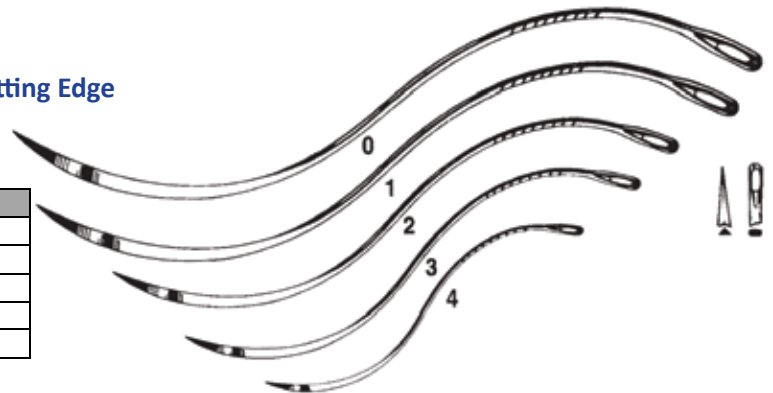
Available Sizes	Dimensions
2	1.02mm x 2"
3	1.27mm x 3"
4	1.42mm x 4"



## Post Mortem Needles Serpentine Double Curved Cutting Edge

**08819:** non-sterile, stainless  
12/pkg

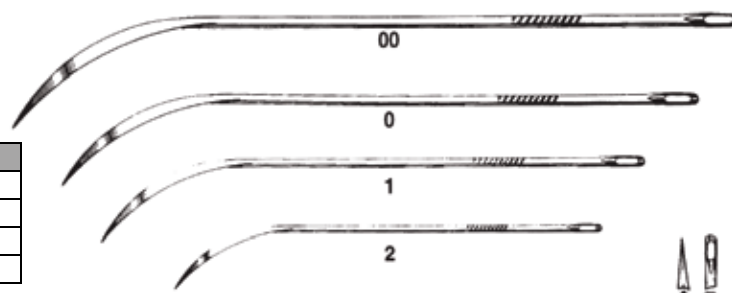
Available Sizes	Dimensions
0	5"
1	4.75"
2	4.25"
3	3.25"
4	2.25"



## Post Mortem Needles Half Curved Cutting Edge

**08820:** non-sterile, stainless  
12/pkg

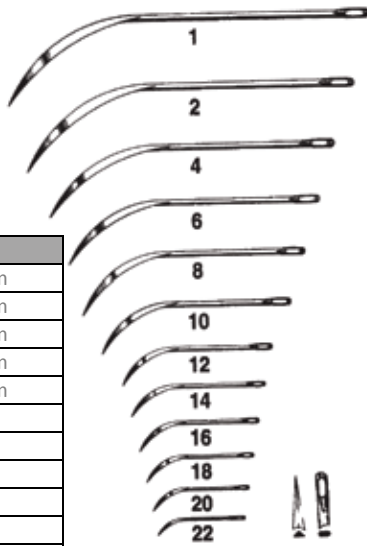
Available Sizes	Dimensions
00	2.20mm x 150mm
0	2.20mm x 140mm
1	2.00mm x 114mm
2	1.8mm x 89mm



### Regular Surgeon Needles Half Curved Cutting Edge

**08821:** non-sterile, stainless  
12/pkg

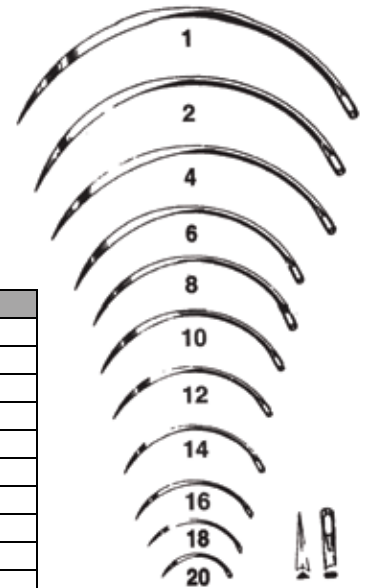
Available Sizes	Dimensions
1	1.21mm x 80mm
2	1.20mm x 68mm
4	1.20mm x 64mm
6	1.10mm x 55mm
8	1.00mm x 50mm
10	.93mm x 43mm
12	.76mm x 35mm
14	.69mm x 29mm
16	.60mm x 27mm
18	.64mm x 25mm
20	.53mm x 22mm
22	.50mm x 19mm



### Regular Surgeon Needles 3/8 Circle Cutting Edge

**08822:** non-sterile, stainless  
12/pkg

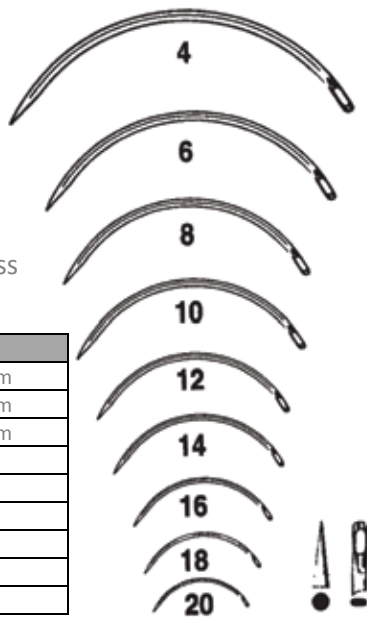
Available Sizes	Dimensions
1	1.20mm x 80mm
2	1.22mm x 68mm
4	1.21mm x 64mm
6	1.10mm x 55mm
8	1.00mm x 50mm
10	.94mm x 43mm
12	.76mm x 35mm
14	.69mm x 29mm
16	.64mm x 27mm
18	.53mm x 22mm
20	.48mm x 17mm



### Regular Surgeon Needles 3/8 Circle Taper Point

**08822T:** non-sterile, stainless  
12/pkg

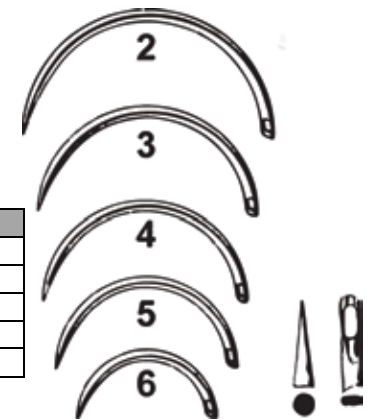
Available Sizes	Dimensions
4	1.16mm x 65mm
6	1.09mm x 55mm
8	1.02mm x 50mm
10	.94mm x 45mm
12	.76mm x 35mm
14	.69mm x 29mm
16	.64mm x 27mm
18	.53mm x 22mm
20	.53mm x 16mm



### Mayo's Catgut Needles 1/2 Circle Taper Point

**08824:** non-sterile, stainless  
12/pkg

Available Sizes	Dimensions
2	1.40mm x 45mm
3	1.40mm x 38mm
4	1.40mm x 35mm
5	1.30mm x 32mm
6	1.30mm x 28mm



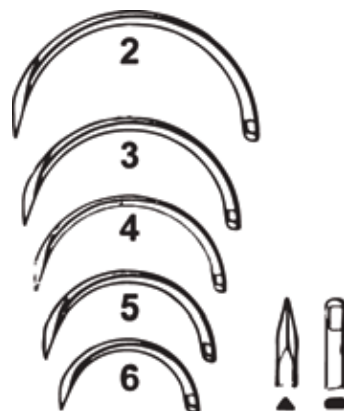
**09824:** sterile, stainless  
50/box

Available Sizes	Dimensions
2	1.40mm x 45mm
3	1.40mm x 38mm
4	1.40mm x 35mm
5	1.30mm x 32mm
6	1.30mm x 28mm

### Mayo's Catgut Needles 1/2 Circle Trocar Point

**09826:** sterile, stainless  
50/box

Available Sizes	Dimensions
2	1.40mm x 45mm
3	1.40mm x 38mm
4	1.40mm x 35mm
5	1.30mm x 32mm
6	1.30mm x 28mm



\*Needles are not shown to actual size.

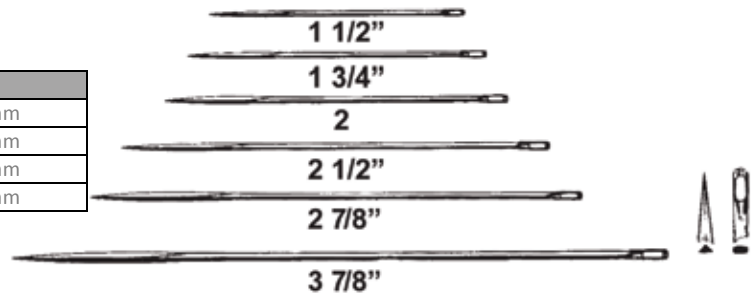
**Keith's Straight Abdominal Needles**  
**Triangular Point**

**08827:** non-sterile, stainless  
12/pkg

Available Sizes	Dimensions
1 ½	.74mm x 38mm
1 ¾	.75mm x 44mm
2	.76mm x 51mm
2 ½	.81mm x 64mm
2 7/8	.92mm x 76mm
3 7/8	1.00mm x 95mm

**09827:** sterile, stainless  
50/box

Available Sizes	Dimensions
1 ¾	.74mm x 44mm
2	.76mm x 51mm
2 ½	.81mm x 64mm
2 7/8	.83mm x 76mm



**Eye Needles**  
**3/8 Circle Cutting Edge**

**08830:** non-sterile, stainless  
12/pkg

Available Sizes	Dimensions
1	.53mm x 28mm
2	.53mm x 22mm



**Eye Needles**  
**1/2 Circle Cutting Edge**

**08831:** non-sterile, stainless  
12/pkg

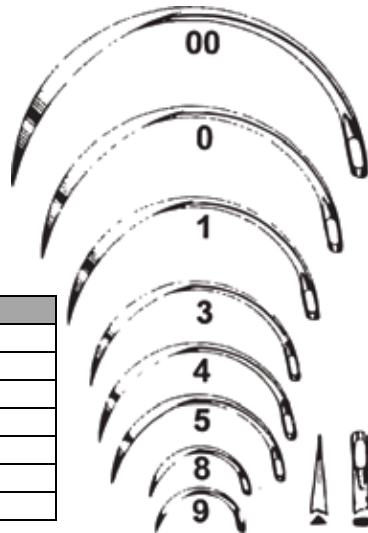
Available Sizes	Dimensions
1	.53mm x 25mm
2	.53mm x 22mm



**Fistula Needles**  
**1/2 Circle Cutting Edge**

**08832:** non-sterile, stainless  
12/pkg

Available Sizes	Dimensions
00	1.62mm x 74mm
0	1.42mm x 64mm
1	1.27mm x 54mm
3	1.16mm x 45mm
4	1.10mm x 36mm
5	1.10mm x 36mm
8	.86mm x 22mm
9	.76mm x 19mm



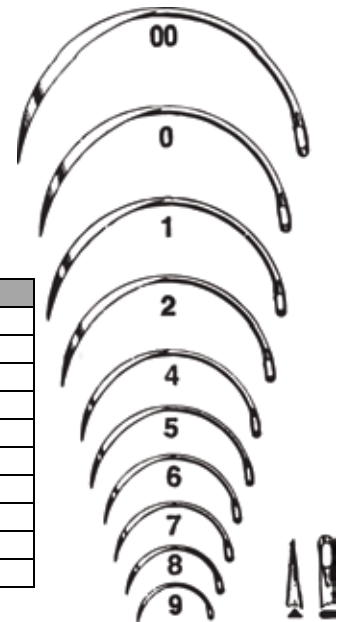
**09832:** sterile, stainless  
50/box

Available Sizes	Dimensions
4	1.10mm x 41mm

**Regular Surgeon Needles**  
**1/2 Circle Cutting Edge**

**08834:** non-sterile, stainless  
12/pkg

Available Sizes	Dimensions
00	1.20mm x 68mm
0	1.20mm x 64mm
1	1.09mm x 59mm
2	1.00mm x 50mm
4	.90mm x 43mm
5	.85mm x 38mm
6	.68mm x 29mm
7	.60mm x 27mm
8	.55mm x 21mm
9	.50mm x 19mm

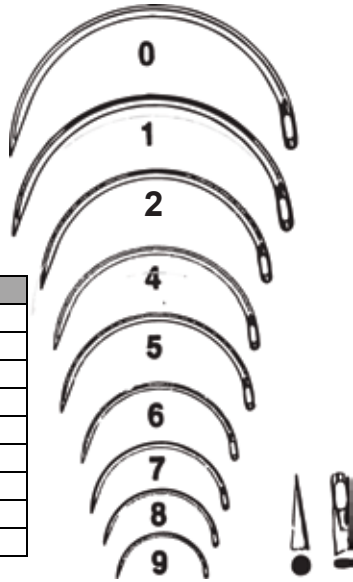


\*Needles are not shown to actual size.

**Regular Surgeon Needles**  
**1/2 Circle Taper Point**

**08834T:** non-sterile, stainless  
12/pkg

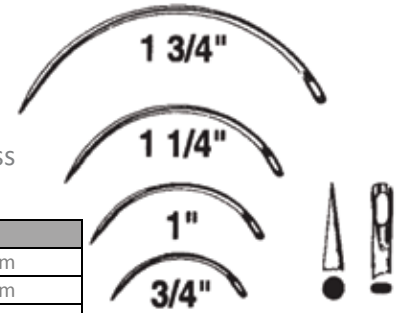
Available Sizes	Dimensions
0	1.20mm x 64mm
1	1.09mm x 59mm
2	1.00mm x 50mm
4	.90mm x 43mm
5	.85mm x 38mm
6	.68mm x 29mm
7	.61mm x 27mm
8	.53mm x 22mm
9	.53mm x 19mm



**Mayo's Intestinal Needles**  
**3/8 Circle Taper Point**

**08837:** non-sterile, stainless  
12/pkg

Available Sizes	Dimensions
3/4	.61mm x 19mm
1	.53mm x 25mm
1 1/4	.61mm x 32mm
1 3/4	.76mm x 45mm



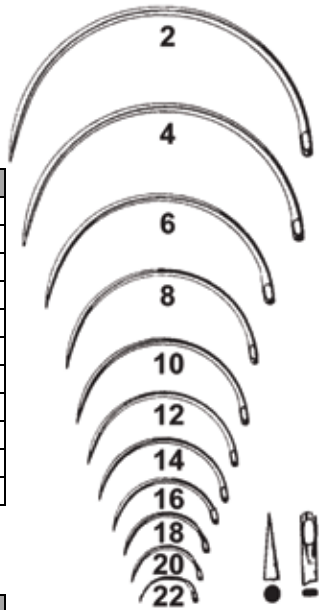
**Ferguson's Needles**  
**1/2 Circle Taper Point**

**08842:** non-sterile, stainless  
12/pkg

Available Sizes	Dimensions
2	1.27mm x 70mm
4	1.22mm x 60mm
6	1.10mm x 55mm
8	.92mm x 44mm
10	.92mm x 39mm
12	.76mm x 35mm
14	.76mm x 29mm
16	.70mm x 25mm
18	.53mm x 19mm
20	.64mm x 15mm
22	.53mm x 13mm

**09842:** sterile, stainless  
50/box

Available Sizes	Dimensions
2	1.22 mm x 69mm



**Lane's Cleft Palate Needles**  
**1/2 Circle Cutting Edge**

**08844:** non-sterile, stainless  
12/pkg

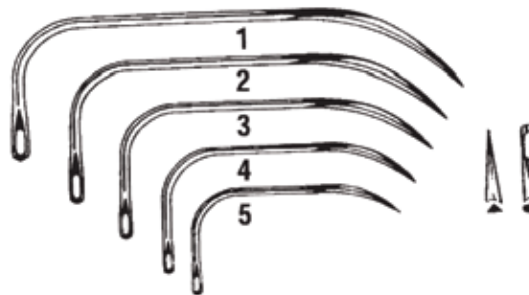
Available Sizes	Dimensions
1	.71mm x 25mm
3	.60mm x 19mm



**Loopuyt's Cutting Edge Needles**

**08846:** non-sterile, stainless  
12/pkg

Available Sizes	Dimensions
1	1.42mm x 80mm
2	1.22mm x 68mm
3	1.10mm x 60mm
4	1.00mm x 52mm
5	1.00mm x 46mm



\*Needles are not shown to actual size.

**Lane's Cleft Palate Needles**  
**3/8 Circle Cutting Edge**

**08848:** non-sterile, stainless  
 12/pkg

Available Sizes	Dimensions
1	.71mm x 22mm
2	.69mm x 19mm
3	.69mm x 16mm



**Davis Tonsil Needles**  
**1/2 Circle Taper Point**

**09849:** sterile, stainless  
 50/box

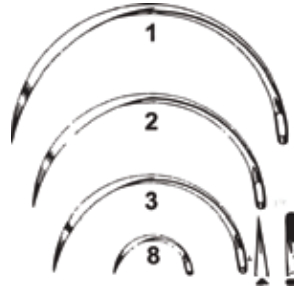
Available Sizes	Dimensions
one size	1.20mm x 25mm



**Martin's Uterine Needles**  
**1/2 Circle Cutting Edge**

**08860:** non-sterile, stainless  
 12/pkg

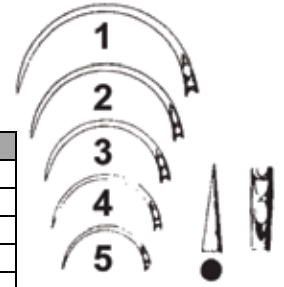
Available Sizes	Dimensions
1	1.60mm x 74mm
2	1.20mm x 63mm
3	1.27mm x 54mm
8	.86mm x 22mm



**French Spring Eye Needles**  
**1/2 Circle Taper Point**

**09871:** sterile, stainless  
 50/box

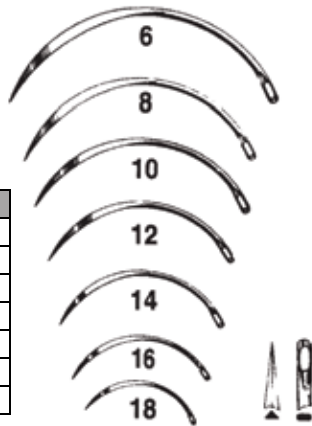
Available Sizes	Dimensions
1	.76mm x 30mm
2	.76mm x 26mm
3	.76mm x 23mm
4	.61mm x 20mm
5	.69mm x 18mm



**Regular Surgeon Needles**  
**3/8 Circle Reverse Cutting Edge**

**08922:** non-sterile, stainless  
 12/pkg

Available Sizes	Dimensions
6	1.10mm x 55mm
8	1.00mm x 50mm
10	.93mm x 43mm
12	.76mm x 35mm
14	.69mm x 29mm
16	.64mm x 27mm
18	.53mm x 22mm



**Regular Surgeon Needles**  
**1/2 Circle Reverse Cutting Edge**

**08934:** non-sterile, stainless  
 12/pkg

Available Sizes	Dimensions
3	1.00mm x 50mm
5	.85mm x 38mm
7	.60mm x 27mm



**Lane's Cleft Palate Needles**  
**1/2 Circle Reverse Cutting Edge**

**08944:** non-sterile, stainless  
 12/pkg

Available Sizes	Dimensions
1	.71mm x 26mm



\*Needles are not shown to actual size.